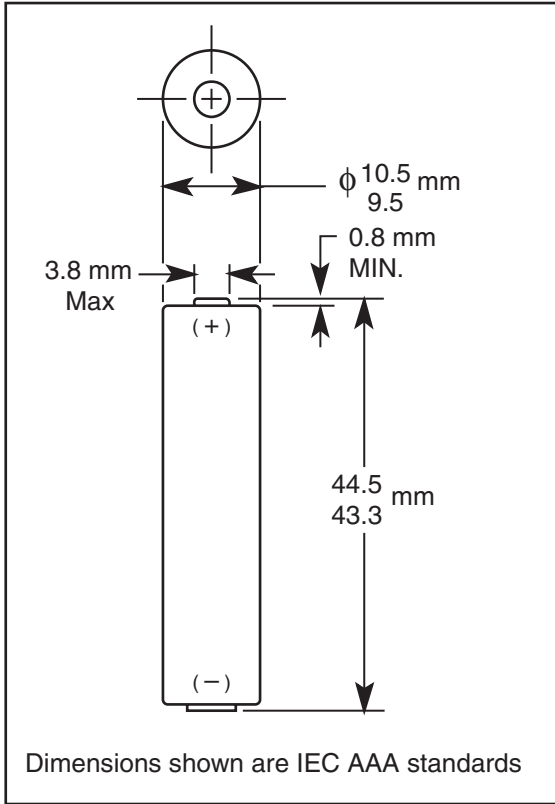




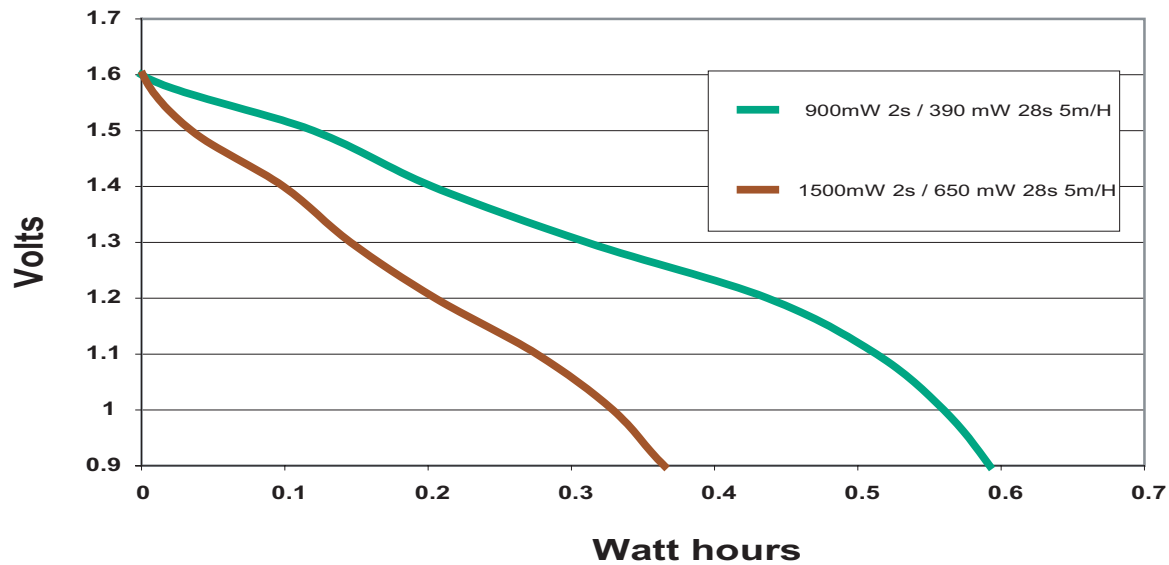
NX2400
Size: AAA (ZR03)

Zn/NiOOH



Nominal Voltage:	1.5 V
Average Weight:	11 gm (0.4 oz.)
Volume:	3.5 cm ³ (0.21 in. ³)
Terminals:	Flat, cap & base
Operating Temperature Range:	-20°C to 54°C (-4°F to 130°F)
ANSI:	-
IEC:	ZR03

Typical Performance Duracell AAA Power Pix



* Delivered capacity is dependent on the applied load, operating temperature and cut-off voltage.