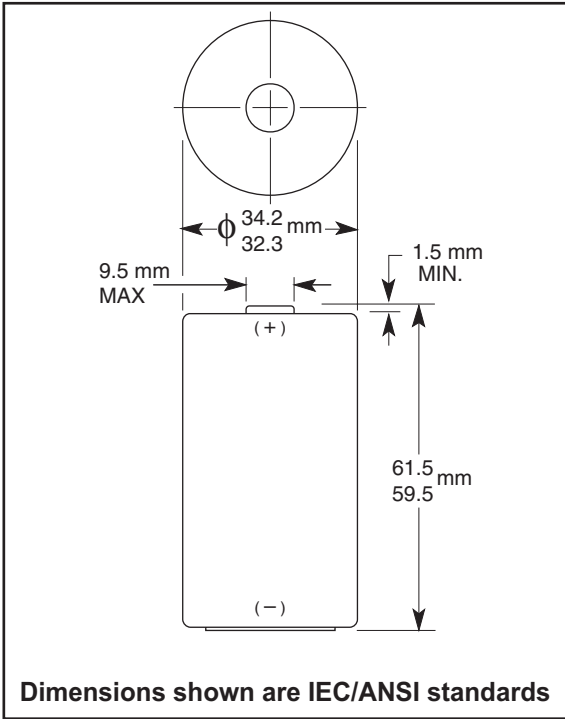




PC 1300
Size: D (LR20)

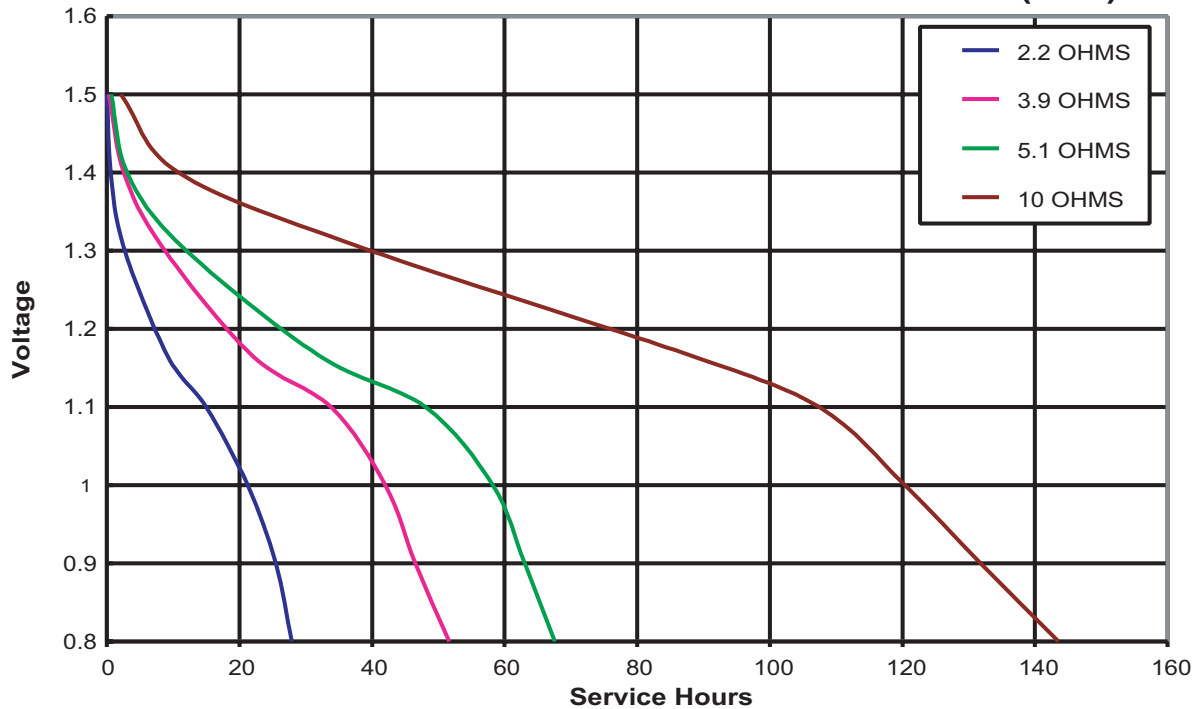
Zn/MnO₂

Alkaline-Manganese Dioxide Battery



Nominal Voltage:	1.5 V
Nominal Internal Impedance:	136 m-ohm @ 1kHz
Average Weight:	139 gm (4.9 oz.)
Volume:	56.4 cm ³ (3.44 in. ³)
Terminals:	Flat
Operating Temperature Range:	-20°C to 54°C (-4°F to 130°F)
NEDA/ANSI:	13A
IEC:	LR20

TYPICAL DISCHARGE CHARACTERISTICS AT 21° C (70°F)



* Delivered capacity is dependent on the applied load, operating temperature and cut-off voltage. Please refer to the charts and discharge data shown for examples of the energy / service life that the battery will provide for various load conditions.

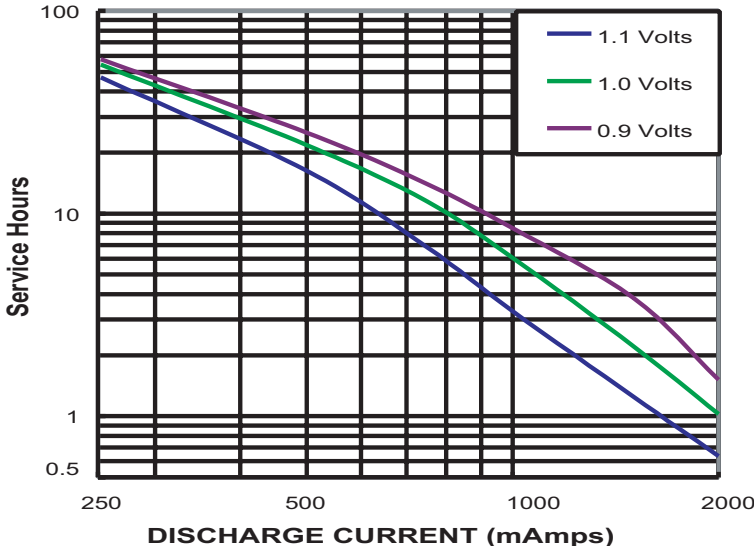


PC 1300
Size: D (LR20)

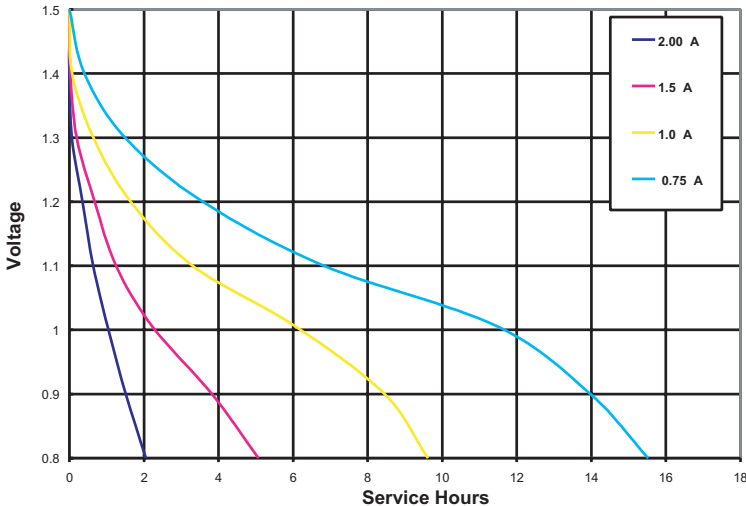
Zn/MnO₂

Alkaline-Manganese Dioxide Battery

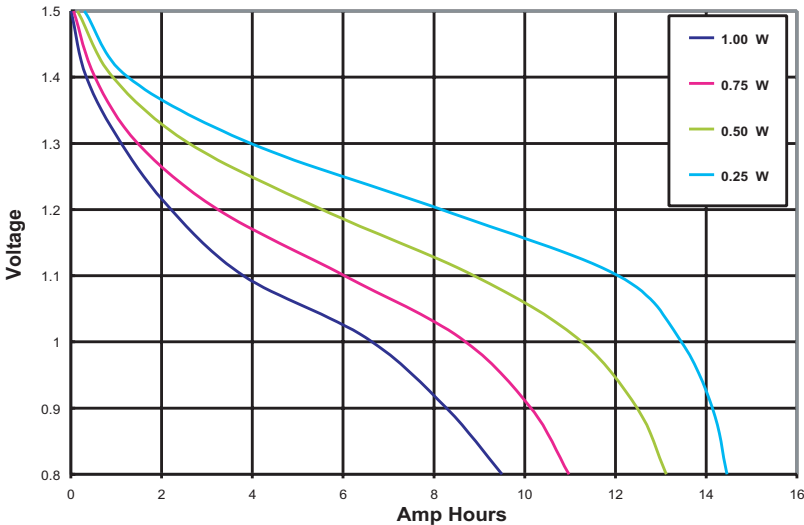
TYPICAL CONSTANT CURRENT DISCHARGE CHARACTERISTICS AT 21°C (70°F)



TYPICAL DISCHARGE CHARACTERISTICS AT 21°C (70°F)



TYPICAL DISCHARGE CHARACTERISTICS AT 21°C (70°F)



DURACELL[®]

BATTERIES

Berkshire Corporate Park
Bethel, CT 06801 U.S.A.
Telephone: Toll-free 1-800-544-5454
Internet: www.duracell.com

* Delivered capacity is dependent on the applied load, operating temperature and cut-off voltage. Please refer to the charts and discharge data shown for examples of the energy / service life that the battery will provide for various load conditions.